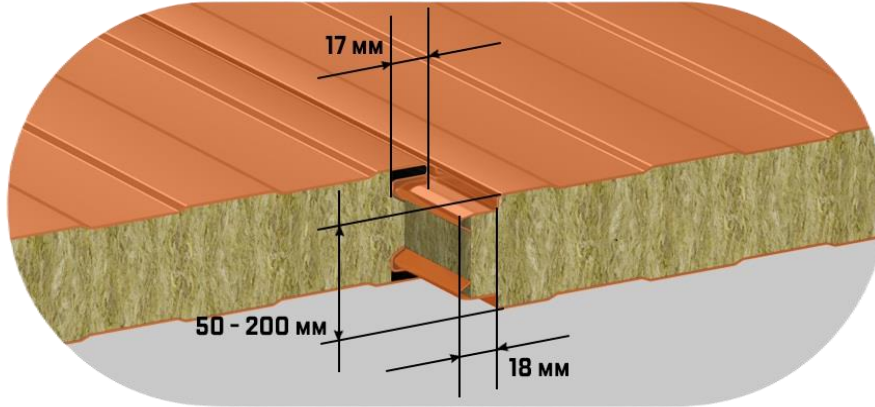


**WALL AND ROOF MINERAL WOOL SANDWICH PANELS. CLASS 2  
 WITH Z-LOCK AND SECRET FIX LOCK**

ALL PRICES IN US DOLLARS, VAT NOT INCLUDED

09.09.2024

**WALL PANELS**



**WITH Z-LOCK**

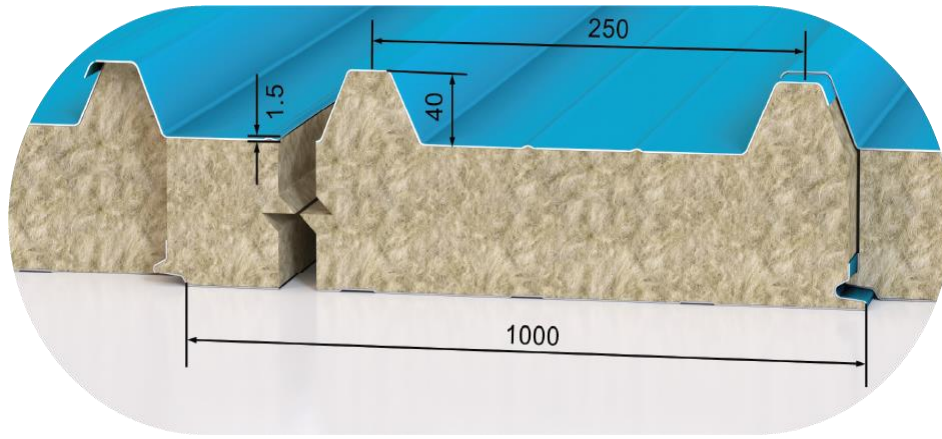
EXTERIOR COATING		PANEL'S THICKNESS, MM / Z-LOCK							
SIDE A	SIDE B	50	60	80	100	120	150	170	200
FIRE RESISTANCE CLASS		EI 30	EI 60	EI 90	EI 150	EI 180			
RAL	RAL	27,48	29,18	32,65	35,91	39,24	44,34	47,57	52,83
	ZN	26,52	28,21	31,68	34,95	38,27	43,38	46,61	51,87
	AISI 304	42,99	44,68	48,16	51,42	54,75	59,85	63,08	68,34
	AISI 430	37,32	39,02	42,49	45,75	49,08	54,18	57,41	62,68
	PVDF	38,80	40,49	43,96	47,23	50,55	55,66	58,89	64,15
	PU	34,81	36,50	39,97	43,24	46,56	51,67	54,89	60,16
	FOOD SAFE	42,15	43,84	47,32	50,58	53,90	59,01	62,24	67,50
ZN	RAL	26,52	28,21	31,68	34,95	38,27	43,38	46,61	51,87
	ZN	25,55	27,25	30,72	33,98	37,31	42,41	45,64	50,90
	AISI 304	42,03	43,72	47,19	50,46	53,78	58,89	62,11	67,38
	AISI 430	36,36	38,05	41,53	44,79	48,11	53,22	56,45	61,71
	PVDF	37,83	39,53	43,00	46,26	49,59	54,69	57,92	63,18
	PU	33,84	35,54	39,01	42,27	45,60	50,70	53,93	59,19
	FOOD SAFE	41,18	42,88	46,35	49,61	52,94	58,04	61,27	66,54
AISI 304	RAL	42,99	44,68	48,16	51,42	54,75	59,85	63,08	68,34
	ZN	42,03	43,72	47,19	50,46	53,78	58,89	62,11	67,38
	AISI 304	58,50	60,19	63,67	66,93	70,25	75,36	78,59	83,85
	AISI 430	52,83	54,53	58,00	61,26	64,59	69,69	72,92	78,18
	PVDF	54,31	56,00	59,47	62,74	66,06	71,17	74,39	79,66
	PU	50,32	52,01	55,48	58,75	62,07	67,18	70,40	75,67
	FOOD SAFE	57,66	59,35	62,82	66,09	69,41	74,52	77,75	83,01
AISI 430	RAL	37,32	39,02	42,49	45,75	49,08	54,18	57,41	62,68
	ZN	36,36	38,05	41,53	44,79	48,11	53,22	56,45	61,71
	AISI 304	52,83	54,53	58,00	61,26	64,59	69,69	72,92	78,18
	AISI 430	47,17	48,86	52,33	55,60	58,92	64,03	67,25	72,52
	PVDF	48,64	50,33	53,81	57,07	60,39	65,50	68,73	73,99
	PU	44,65	46,34	49,82	53,08	56,40	61,51	64,74	70,00
	FOOD SAFE	51,99	53,68	57,16	60,42	63,75	68,85	72,08	77,34

	RAL	38,80	40,49	43,96	47,23	50,55	55,66	58,89	64,15
	ZN	37,83	39,53	43,00	46,26	49,59	54,69	57,92	63,18
	AISI 304	54,31	56,00	59,47	62,74	66,06	71,17	74,39	79,66
PVDF	AISI 430	48,64	50,33	53,81	57,07	60,39	65,50	68,73	73,99
	PVDF	50,11	51,81	55,28	58,54	61,87	66,97	70,20	75,46
	PU	46,12	47,82	51,29	54,55	57,88	62,98	66,21	71,47
	FOOD SAFE	53,46	55,16	58,63	61,89	65,22	70,32	73,55	78,82
<hr/>									
	RAL	34,81	36,50	39,97	43,24	46,56	51,67	54,89	60,16
	ZN	33,84	35,54	39,01	42,27	45,60	50,70	53,93	59,19
	AISI 304	50,32	52,01	55,48	58,75	62,07	67,18	70,40	75,67
PU (POLYURETHANE	AISI 430	44,65	46,34	49,82	53,08	56,40	61,51	64,74	70,00
	PVDF	46,12	47,82	51,29	54,55	57,88	62,98	66,21	71,47
	PU	42,13	43,82	47,30	50,56	53,89	58,99	62,22	67,48
	FOOD SAFE	49,47	51,17	54,64	57,90	61,23	66,33	69,56	74,82
<hr/>									
FOOD SAFE	FOOD SAFE	56,82	58,51	61,98	65,25	68,57	73,68	76,90	82,17

#### WITH SECRET FIX LOCK

EXTERIOR COATING		PANEL'S THICKNESS, MM / SECRET FIX				
SIDE A	SIDE B	60	80	100	120	150
FIRE RESISTANCE CLASS		EI 30	EI 60	EI 90	EI 150	EI 180
	RAL	31,54	35,26	38,56	41,94	47,14
	ZN	30,17	33,89	37,18	40,56	45,76
	AISI 304	53,70	57,42	60,72	64,10	69,30
RAL	AISI 430	45,61	49,32	52,62	56,00	61,20
	PVDF	47,71	51,43	54,73	58,11	63,31
	PU	42,01	45,73	49,03	52,40	57,61
	FOOD SAFE	52,50	56,22	59,52	62,89	68,10
<hr/>						
	RAL	30,17	33,89	37,18	40,56	45,76
	ZN	28,79	32,51	35,81	39,18	44,39
	AISI 304	52,32	56,04	59,34	62,72	67,92
ZN	AISI 430	44,23	47,95	51,25	54,62	59,82
	PVDF	46,33	50,05	53,35	56,73	61,93
	PU	40,63	44,35	47,65	51,03	56,23
	FOOD SAFE	51,12	54,84	58,14	61,52	66,72
<hr/>						
	RAL	53,70	57,42	60,72	64,10	69,30
	ZN	52,32	56,04	59,34	62,72	67,92
	AISI 304	75,86	79,58	82,88	86,25	91,46
AISI 304	AISI 430	67,76	71,48	74,78	78,16	83,36
	PVDF	69,87	73,59	76,89	80,26	85,46
	PU	64,17	67,89	71,18	74,56	79,76
	FOOD SAFE	74,66	78,38	81,68	85,05	90,25
<hr/>						
	RAL	45,61	49,32	52,62	56,00	61,20
	ZN	44,23	47,95	51,25	54,62	59,82
	AISI 304	67,76	71,48	74,78	78,16	83,36
AISI 430	AISI 430	59,67	63,39	66,68	70,06	75,26
	PVDF	61,77	65,49	68,79	72,17	77,37
	PU	56,07	59,79	63,09	66,46	71,67
	FOOD SAFE	66,56	70,28	73,58	76,96	82,16
<hr/>						
	RAL	47,71	51,43	54,73	58,11	63,31
	ZN	46,33	50,05	53,35	56,73	61,93
	AISI 304	69,87	73,59	76,89	80,26	85,46
PVDF	AISI 430	61,77	65,49	68,79	72,17	77,37
	PVDF	63,88	67,60	70,89	74,27	79,47
	PU	58,18	61,89	65,19	68,57	73,77
	FOOD SAFE	68,67	72,39	75,68	79,06	84,26
<hr/>						
	RAL	42,01	45,73	49,03	52,40	57,61
	ZN	40,63	44,35	47,65	51,03	56,23
	AISI 304	64,17	67,89	71,18	74,56	79,76
PU (POLYURETHANE	AISI 430	56,07	59,79	63,09	66,46	71,67
	PVDF	58,18	61,89	65,19	68,57	73,77
	PU	52,47	56,19	59,49	62,87	68,07
	FOOD SAFE	62,96	66,68	69,98	73,36	78,56
<hr/>						
FOOD SAFE	FOOD SAFE	73,46	77,18	80,47	83,85	89,05

## ROOF PANELS



EXTERIOR COATING		PANELS' THICKNESS, MM							
SIDE A	SIDE B	50	60	80	100	120	150	170	200
FIRE RESISTANCE CLASS		RE 15	RE 30	REI 45	REI 60				
RAL	RAL	32,11	33,72	37,20	40,44	43,68	48,53	52,04	56,89
	ZN	30,97	32,59	36,07	39,31	42,55	47,39	50,90	55,75
	AISI 304	50,22	51,83	55,32	58,55	61,80	66,64	70,15	75,00
	AISI 430	43,61	45,22	48,70	51,94	55,18	60,03	63,54	68,39
	PVDF	45,32	46,94	50,42	53,66	56,90	61,75	65,25	70,11
	PU	40,66	42,27	45,75	48,99	52,24	57,08	60,59	65,44
	FOOD SAFE	49,24	50,85	54,33	57,57	60,82	65,66	69,17	74,02
ZN	RAL	30,97	32,59	36,07	39,31	42,55	47,39	50,90	55,75
	ZN	29,84	31,46	34,94	38,18	41,42	46,26	49,77	54,62
	AISI 304	49,09	50,70	54,18	57,42	60,67	65,51	69,02	73,87
	AISI 430	42,47	44,09	47,57	50,81	54,05	58,89	62,40	67,25
	PVDF	44,19	45,81	49,29	52,53	55,77	60,61	64,12	68,97
	PU	39,53	41,14	44,62	47,86	51,11	55,95	59,46	64,31
	FOOD SAFE	48,11	49,72	53,20	56,44	59,68	64,53	68,04	72,89
AISI 304	RAL	50,22	51,83	55,32	58,55	61,80	66,64	70,15	75,00
	ZN	49,09	50,70	54,18	57,42	60,67	65,51	69,02	73,87
	AISI 304	68,33	69,95	73,43	76,67	79,91	84,75	88,26	93,11
	AISI 430	61,72	63,33	66,82	70,05	73,30	78,14	81,65	86,50
	PVDF	63,44	65,05	68,54	71,77	75,02	79,86	83,37	88,22
	PU	58,77	60,39	63,87	67,11	70,35	75,19	78,70	83,55
	FOOD SAFE	67,35	68,96	72,45	75,68	78,93	83,77	87,28	92,13
AISI 430	RAL	43,61	45,22	48,70	51,94	55,18	60,03	63,54	68,39
	ZN	42,47	44,09	47,57	50,81	54,05	58,89	62,40	67,25
	AISI 304	61,72	63,33	66,82	70,05	73,30	78,14	81,65	86,50
	AISI 430	55,11	56,72	60,20	63,44	66,68	71,53	75,04	79,89
	PVDF	56,82	58,44	61,92	65,16	68,40	73,25	76,75	81,61
	PU	52,16	53,77	57,25	60,49	63,74	68,58	72,09	76,94
	FOOD SAFE	60,74	62,35	65,83	69,07	72,32	77,16	80,67	85,52
PVDF	RAL	45,32	46,94	50,42	53,66	56,90	61,75	65,25	70,11
	ZN	44,19	45,81	49,29	52,53	55,77	60,61	64,12	68,97
	AISI 304	63,44	65,05	68,54	71,77	75,02	79,86	83,37	88,22
	AISI 430	56,82	58,44	61,92	65,16	68,40	73,25	76,75	81,61
	PVDF	58,54	60,16	63,64	66,88	70,12	74,96	78,47	83,32
	PU	53,88	55,49	58,97	62,21	65,46	70,30	73,81	78,66
	FOOD SAFE	62,46	64,07	67,55	70,79	74,04	78,88	82,39	87,24
PU (POLYURETHANE)	RAL	40,66	42,27	45,75	48,99	52,24	57,08	60,59	65,44
	ZN	39,53	41,14	44,62	47,86	51,11	55,95	59,46	64,31
	AISI 304	58,77	60,39	63,87	67,11	70,35	75,19	78,70	83,55
	AISI 430	52,16	53,77	57,25	60,49	63,74	68,58	72,09	76,94
	PVDF	53,88	55,49	58,97	62,21	65,46	70,30	73,81	78,66
	PU	49,21	50,82	54,31	57,54	60,79	65,63	69,14	73,99
	FOOD SAFE	57,79	59,40	62,89	66,12	69,37	74,21	77,72	82,57
FOOD SAFE	FOOD SAFE	66,37	67,98	71,46	74,70	77,95	82,79	86,30	91,15

PH INSULATION MANUFACTURES CLASS 2 SANDWICH PANELS WITH MINERAL WOOL  
ON PU.MA CONTINUOUS ITALIAN LINE

- Mineral Wool Density - 95 kg/m<sup>3</sup>
- You can request sandwich panels with high-quality standard metal of leading Russian and world suppliers Severstal, NLMK, MMK, Arcelor, SSAB, Lampre, etc. with polymer coating.
- Or you can request the special metal according to your requirements:
  - wide range of colors according to RAL chart for polymer coating,
  - various coatings: Polyester, Pural, PVDF, or Food Safe Laminate (a special 110 µm thick coating for food products storage and processing facilities: meat and fish processing plants, dairy farming, etc).
- You can also choose the panels with flat surface or with ribs for elevated sturdiness.
- All PH Insulation panels are delivered wrapped in a surface-protection plastic film for transportation.



+7 [495] 240-83-14

[WWW.PROFHOLOD.COM](http://WWW.PROFHOLOD.COM)